

# MV1000S

# DUST COLLECTOR

Parts/user Manual



**1-800-653-9311**

[www.SmithMfg.com](http://www.SmithMfg.com)

Phone: 954-941-9744 • Fax: 954-545-0348

## INDEX

Page	Contents
2	Index / Introduction
3	Uncrating equipment / Safety Guidelines
4	Your MV1000S Dust collector
5	Bag replacement / Ordering / Storage / Troubleshooting
6	Main assembly
7	Motor assembly
8-9	Maintenance Log
10	Limited Equipment Warranty
11	Warranty Activation

## INTRODUCTION

**Congratulations on purchasing the MV1000S™ Dust Collector from SMITH Mfg. Company.**

The MV1000S dust collector is a rugged, powerful unit that is sure to meet your expectations for dust control.

See technical data below:

Voltage	220 V / 60 Hz - Single phase
Power	4050 W (5.3 HP)
Air pressure	3000 mm Aq
Airflow	330 c.f.m
Hose	2" (50 mm) Dia.
Weight	175lbs (80kg) (net)
Dimension	27x27x62 in (67x67x155 cm) (LxWxH)
Plastic dust bag	22x32 in (550x800 mm) (LDPE)
Noise	75 dB



### **BEFORE START-UP, READ THIS..**

Please read all operating instructions, and be completely familiar with your equipment before operating. When in doubt, please contact SMITH Manufacturing Customer Service for operational details.

## UNCRATING EQUIPMENT

When you uncrate your equipment, make certain that the machine has not been damaged and that all fasteners and guards are properly tightened.

Please check that the following accessories are included:

- Hoses
- Elbow
- Pipe
- Floor brush
- Floor nozzle
- Small brush
- Dust bag
- Velcro belt

**REMEMBER:** Only authorized, experienced and properly trained personnel should operate this equipment. Operating personnel should practice safety at all times and wear protective gear (gloves, goggles, safety vests, ear plugs, steel-toe shoes, etc.)

## SAFETY GUIDELINES



**Incorrect use of the dust collector can result in property damage, personal injury, or death. Be sure to read and follow all directions and precautions as outlined in this manual.**

- Always wear personal safety equipment such as sturdy non-slip boots, ear protection, dust mask and approved eye protection
- Position the vacuum in the working area
- Ensure dust collection bag is tightly fixed to the collection cone by the Velcro belt
- Check that the vacuum hose is fitted securely to inlet
- Ensure vacuum is set to OFF position prior to turning on power supply
- Plug vacuum into power supply and switch on power supply
- The machine should not be used in areas where potential for fire or explosions exist
- The machine should not be started without the dust bag attached
- Make sure the hose or cord are not pinched in doors, fences or the like

# YOUR MV1000S™ DUST COLLECTOR

Please take time to familiarize yourself with the MV1000S™'s controls, as well as some of the features of your new machine



## DUST BAG REPLACEMENT

Once the dust bag has collected around 44 lb. (20 kg) of material, replace the bag to avoid lifting hazards caused by overfilling

Follow the steps below for replacement:

- Switch the machine to the ON position (you will notice the air is sucked from the plastic bag)
- Loosen the belt holding the dust bag, remove the dust bag from the body
- Attached a new bag, tighten the belt using Velcro
- It is important to keep vacuum running during the bag changing process. This will keep the flap in the collection cone closed ensuring no dust will drop out from within the collection cone when bag replacement is being performed

## ORDERING

**To ensure product safety and reliability, and to maintain your warranty, always use genuine replacement parts from SMITH when making repairs to equipment.**

When ordering please specify the model and serial number of the machine. In addition, give a part number, description, and quantity as listed on your parts list.

If you have any questions about the operation of your machine or would like to order replacement parts, contact your SMITH

Manufacturing representative directly.  
Contact 1-800-653-9311 (954-941-9744) for information.

Visit our website at  
**www.smithmfg.com**

## STORAGE

Unplug machine before storing (do not store machine while plugged into a power source).

Do not store in a location where there are high temperatures.

Store away from excessive humidity.

## TROUBLESHOOTING

### PROBLEM

● Possible Reason(s)/Solution(s)

#### MOTOR DOES NOT START

- No power, cable or switch defective

#### MOTOR RUNS BUT NO SUCTION

- Hose not connected or blocked

#### MOTOR RUNS W/ POOR SUCTION

- Hose damaged
- Filter blocked
- Top cover loose

#### DUST BLOWS FROM MOTOR

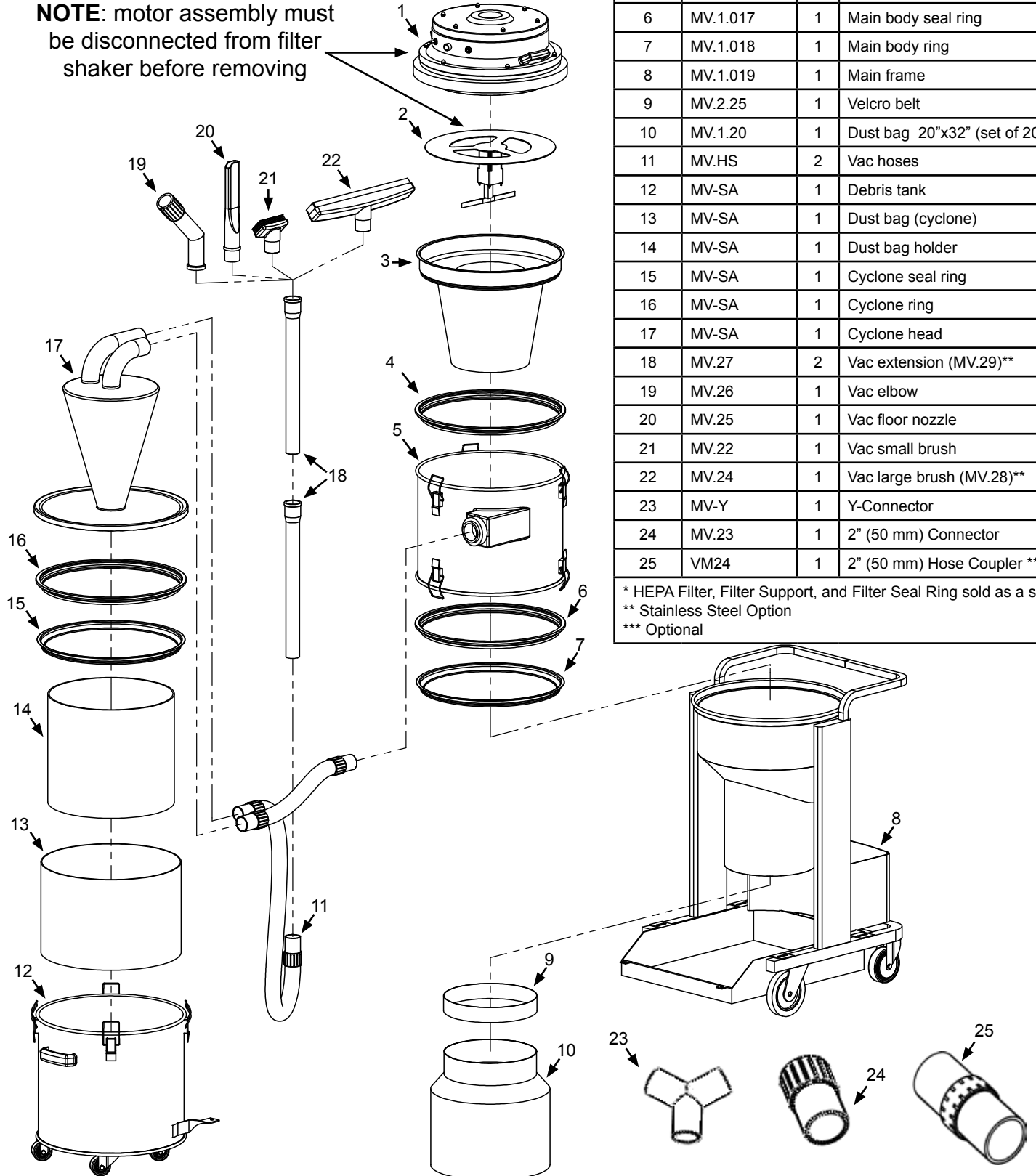
- Filter loose or defective

#### ABNORMAL NOISE

- Check motor(s)

## MAIN ASSEMBLY

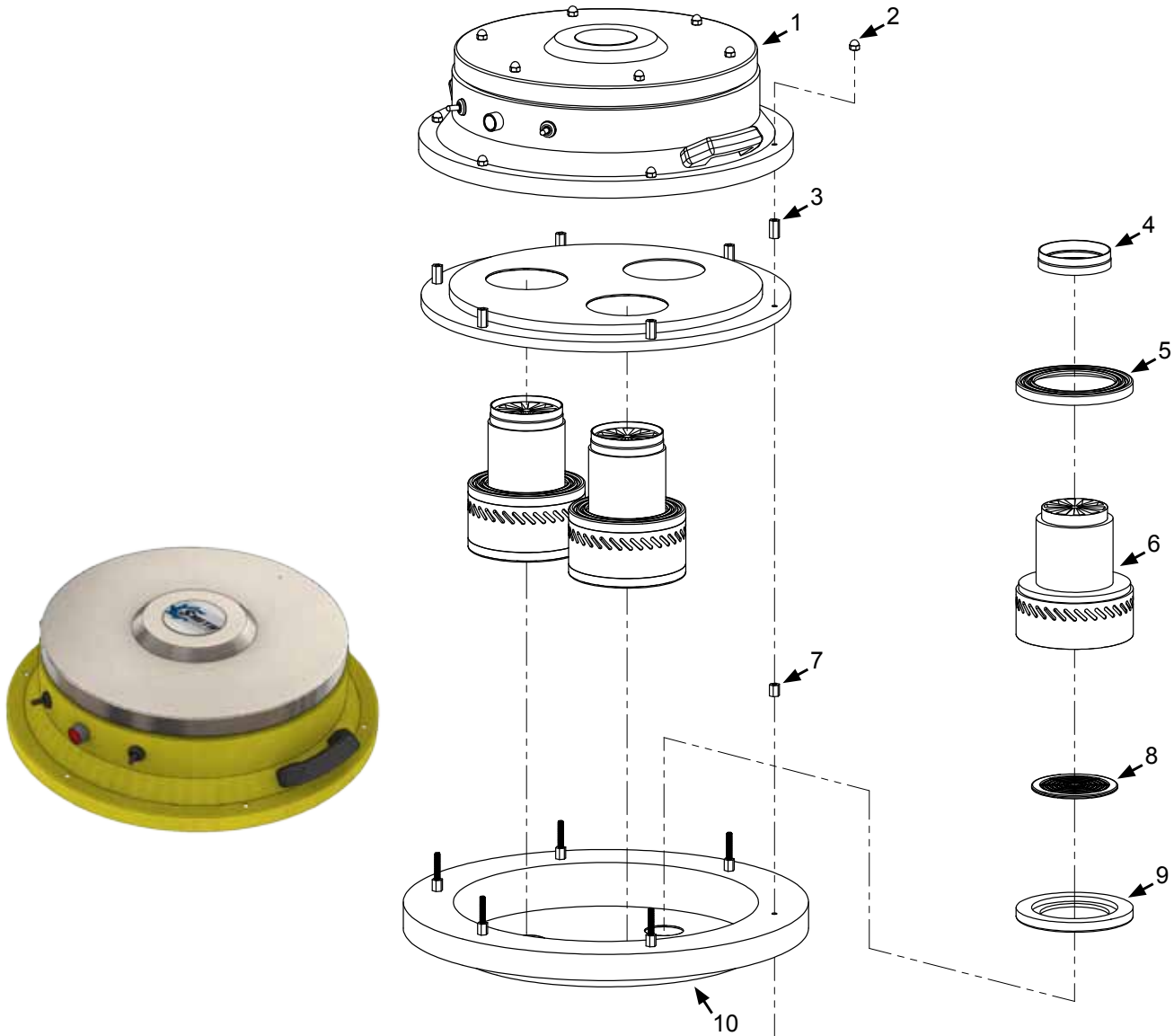
**NOTE:** motor assembly must be disconnected from filter shaker before removing



Item	P/N	Qty	Description
1	(see next pg.)	1	Motor assembly
2	(see pg. 8)	1	Filter Shaking Motor Assembly
3 *	MV.1.891A	1	HEPA filter
4 *	MV.1.891A	1	Filter seal ring
5	MV.1.016	1	Filter housing/main body
6	MV.1.017	1	Main body seal ring
7	MV.1.018	1	Main body ring
8	MV.1.019	1	Main frame
9	MV.2.25	1	Velcro belt
10	MV.1.20	1	Dust bag 20"x32" (set of 20)
11	MV.HS	2	Vac hoses
12	MV-SA	1	Debris tank
13	MV-SA	1	Dust bag (cyclone)
14	MV-SA	1	Dust bag holder
15	MV-SA	1	Cyclone seal ring
16	MV-SA	1	Cyclone ring
17	MV-SA	1	Cyclone head
18	MV.27	2	Vac extension (MV.29)**
19	MV.26	1	Vac elbow
20	MV.25	1	Vac floor nozzle
21	MV.22	1	Vac small brush
22	MV.24	1	Vac large brush (MV.28)**
23	MV-Y	1	Y-Connector
24	MV.23	1	2" (50 mm) Connector
25	VM24	1	2" (50 mm) Hose Coupler ***

\* HEPA Filter, Filter Support, and Filter Seal Ring sold as a set.  
 \*\* Stainless Steel Option  
 \*\*\* Optional

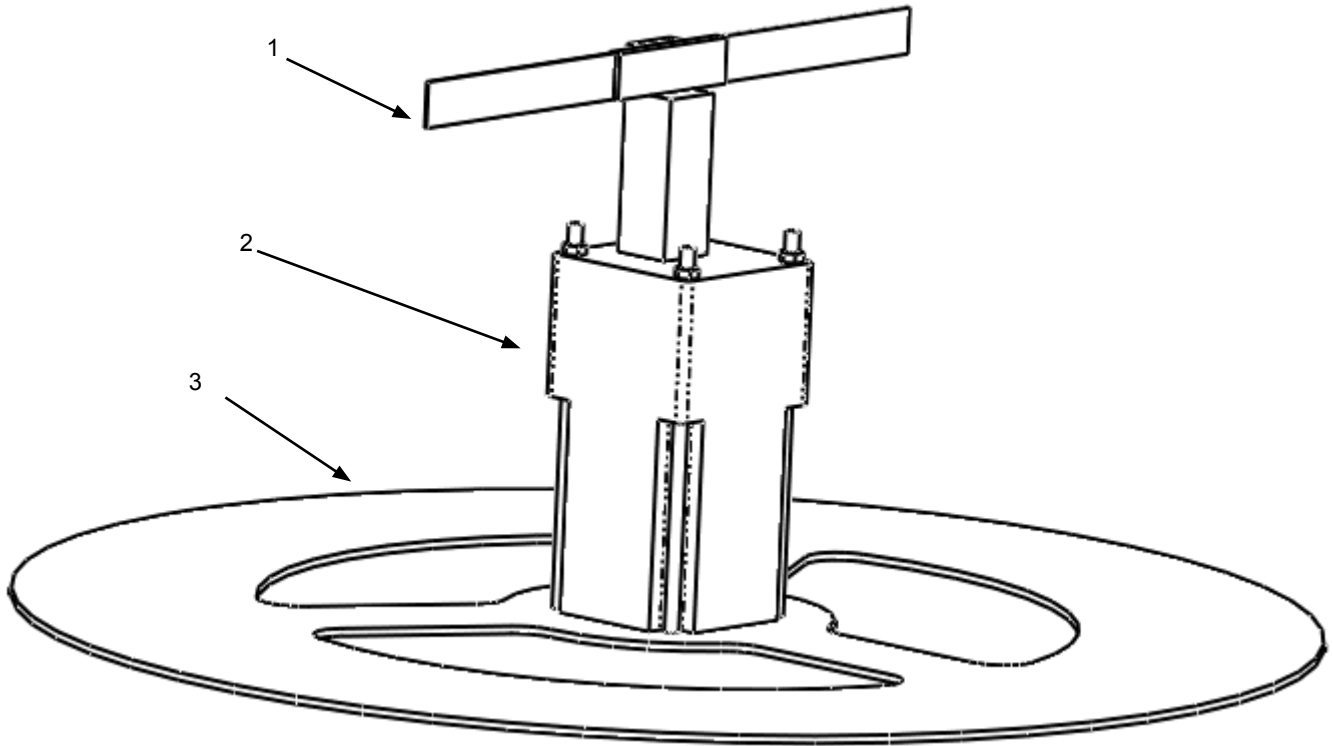
# MOTOR ASSEMBLY



Item	P/N	Qty	Description
1	MV.1.001	6	Acorn nut
2	MV.1.002	1	Motor housing cover
3	MV.1.003	6	Hex spacer (long)
4	MV.1.004	3	Motor rubber ring (upper)
5	MV.1.005	3	Motor rubber ring (middle)
6	MV.1.06A	3	Motor
7	MV.1.007	6	Hex spacer (short)
8	MV.1.008	3	Plastic net
9	MV.1.009	3	Motor rubber ring (lower)
10	MV.1.010	1	Motor table
11	MV.1.011	6	Flat washer
12	MV.1.012	6	Hex head cap screw

## FILTER SHAKING MOTOR ASSEMBLY

Item	P/N	Qty	Description
1	MV.1.11A	1	Filter Shaking Bar
2	MV.1.12A	1	Filter Shaking Motor
3	MV.1.13A	1	Filter Shaking Motor Stand
4	MV.1.11AWP	2	Shaker Plastic Inserts (not shown)









## Limited Equipment Warranty

All statements, technical information and recommendations contained in SMITH's literature are based on tests believed to be reliable, but the accuracy or completeness thereof is not guaranteed and the following is made in lieu of all warranties, expressed or implied. SMITH warrants all equipment or part referenced in this document which is manufactured by SMITH and bearing its name to be free from defects in material and workmanship on the date of sale to the original purchaser under normal use and maintenance as herein provided. This warranty does not apply to components manufactured by others such as, but not limited to, bearings and engines; such components that may or may not have their own warranties.

With the exception of any special, extended, or limited warranty published by SMITH, SMITH will, for a period of three months (90 days) from the date of sale or up to five hundred (500) hours of use by buyer, whichever shall occur first; repair or replace any part of the equipment determined by SMITH to be defective. This warranty applies only when the equipment or part is installed, operated and maintained in accordance with SMITH's written recommendations.

SMITH's sole obligation for any breach of warranty or breach of contract for defects, deliberate or accidental omissions, shall be limited to repairing, replacing or allowing credit for, at SMITH's option, any part which, under normal and proper use and maintenance, proves defective in material or workmanship within warranty period, provided, however, that notice of any such defect or omission and satisfactory proof thereof is promptly given by buyer to SMITH, and thereafter, such defective part is returned to SMITH with transportation charges prepaid, and SMITH's examination proves such part to have been defective. This warranty does not obligate SMITH to bear any transportation charges or personnel time in connection with the replacement or repair of defective parts. This warranty does not obligate SMITH to bear any expense for travel time or of personnel in connection with any service calls. SMITH will not, in any event, be liable to the user for any consequential damages arising out of this sale for the loss of use, lost profits or revenue, interest, lost goodwill or work stoppage. SMITH shall not be liable for any injury, loss or damage, direct or consequential, arising out of the use or the inability to use the product or for environmental claims. It being understood that SMITH has no means of controlling the products final use; therefore, it shall be buyer's responsibility to determine suitability of product for intended use and buyer assumes all risks and liabilities whatsoever, in connection therewith. In no event shall SMITH be liable for consequential or special damages. Used products are sold on an "as is" basis, and there is no implied warranty of merchantability or of fitness for a particular purpose, unless made in writing by an officer at SMITH's office.

This warranty does not cover, and SMITH shall not be liable for general wear and tear, or any malfunction, damage or wear caused by faulty installation, misapplication, abrasion, corrosion, inadequate or improper maintenance, negligence, accident, tampering, or substitution of non-SMITH component parts. Nor shall SMITH be liable for malfunction, damage or wear caused by the incompatibility of SMITH equipment with structures, accessories, equipment or materials not supplied by SMITH, or the improper design, manufacture, installation, operation or maintenance of structures, accessories, equipment or materials not supplied by SMITH. This warranty does not apply in respect to damages to any product or accessory or attachment thereof caused by overloading or other misuse, neglect or accident, nor does this warranty apply to any product or accessory or attachment thereof, which has been repaired or altered in any way which, in the sole judgment of SMITH, affects the performance, stability or general purpose for which it was manufactured. In the manufacture of buyer's equipment, parts may be omitted or equivalent functioning equipment and components may be substituted for the original specified equipment upon the sole judgment and discretion of SMITH.

This warranty is conditioned upon the prepaid return of the equipment claimed to be defective to an authorized SMITH Reseller for verification of the claimed defect. If the claimed defect is verified, SMITH will repair or replace free of charge any defective parts and return of merchandise back to the customer freight collect. If inspection of the equipment does not disclose any defect in material or workmanship, repairs will be made at a reasonable charge, which charges may include the costs of parts, labor and transportation.

**THIS WARRANTY IS EXCLUSIVE AND IS IN LIEU OF ANY OTHER WARRANTIES, EXPRESS OR IMPLIED, INCLUDING BUT NOT LIMITED TO WARRANTY OF MERCHANTABILITY OR WARRANTY OF FITNESS FOR A PARTICULAR PURPOSE.**

SMITH's sole obligation and buyer's sole remedy for any breach of warranty shall be as set forth above. The buyer agrees that no other remedy (including, but not limited to, incidental or consequential damages for lost profits, lost sales, injury to person or property, or any other incidental or consequential loss) shall be available. Any action for breach of warranty must be brought within two (2) years of the date of sale.

**SMITH MAKES NO WARRANTY, AND DISCLAIMS ALL IMPLIED WARRANTIES OF MERCHANTABILITY AND FITNESS FOR A PARTICULAR PURPOSE, IN CONNECTION WITH ACCESSORIES, EQUIPMENT, MATERIALS OR COMPONENTS SOLD BUT NOT MANUFACTURED BY SMITH.**

These items sold, but not manufactured by SMITH (such as electric motors, switches, hose, etc.), are subject to the warranty, if any, of their manufacturer. SMITH will provide purchaser with reasonable assistance in making any claim for breach of these warranties. In no event will SMITH be liable for indirect, incidental, special or consequential damages resulting from SMITH supplying equipment hereunder, or the furnishing, performance, or use of any products or other goods sold hereto, whether due to a breach of contract, breach of warranty, the negligence of SMITH, or otherwise.

**ADDITIONAL WARRANTY COVERAGE - SMITH does provide extended warranty and wear warranty for products.**

Corrections - typographical or clerical errors contained herein are subject to correction by SMITH.

Assignment - buyer shall not assign or transfer this warranty without SMITH's written consent.

Entire agreement and applicable law - the rights and obligations of SMITH and buyer shall be governed by the laws of the state of Florida, U.S.A. In force on date hereof. The provisions hereof are intended by buyer and SMITH as a final expression of their agreement, and are intended also, as a complete and exclusive statement of all terms apply cable to buyer's order. No waiver, modification, or addition to any of the terms hereof shall be binding on SMITH, unless made in writing by an officer at SMITH's office as stated herein. In the event of conflict between buyer's purchase order and the terms hereof, the latter shall control. If any provisions herein are to any extent invalid or unenforceable, the remainder of the warranty shall not be effected thereby and shall be valid and enforceable to the fullest extent permitted by law.

Legal action - buyer shall be responsible for all costs of collection of outstanding indebtedness, including but not limited to attorney's fees and court costs to seller. Buyer shall reimburse seller for any and all litigation expenses seller incurs as a result of an unsuccessful buyer claim. The jurisdiction and venue of the court for any litigation, state or federal, brought by the buyer and/or seller shall be located in venue determined by seller.

Fair labor standards - seller's products are produced in the United States and in conformity with all applicable provisions of the fair labor standards act of 1938 as amended and any regulations and orders of the United States Department of Labor issued thereunder.

All written and visual data contained in this document reflects the most current product information available at the time of this publication. SMITH reserves the right to make changes at any time without notice.

TO ORDER, contact your SMITH distributor or call 1-800-653-9311 to identify the nearest distributor.

**SMITH Manufacturing Co, Inc.**  
1610 South Dixie Highway  
Pompano Beach, FL 33060  
www.smithmfg.com





**PRE-OPERATION INSPECTION - WARRANTY ACTIVATION  
PRODUCT REGISTRATION**

1610 South Dixie Highway - Pompano Beach, FL 33060 • Ph: 954-941-9744 • Fax: 954-545-0348 • Email: info@smithmfg.com • www.SMITHMFG.com

Thank you for purchasing a SMITH. Please complete this form upon receipt of your equipment and prior to use on the job. A pre-operation inspection is required to activate your warranty. *All sections must be completed.* Should you have any questions, please add them to the comments section below. Fax the completed form to (954) 545-0348.

Organization \_\_\_\_\_  
Name \_\_\_\_\_ JobTitle \_\_\_\_\_  
Phone \_\_\_\_\_ Email \_\_\_\_\_  
Address \_\_\_\_\_  
City \_\_\_\_\_  
State \_\_\_\_\_ Zip \_\_\_\_\_  
SMITH Product \_\_\_\_\_  
Machine Serial # \_\_\_\_\_  
Date of Purchase (MM / DD / YYYY) \_\_\_\_\_  
Purchased from \_\_\_\_\_

**PRE-OPERATION INSPECTION (PLEASE CHECK ALL)**

1. No parts or components on the machine appear damaged or lost in shipment.  Yes  No
2. All bolts and fasteners are in place and tightly secured.  Yes  No
3. Grease points have been identified for future maintenance requirements and appear lubricated.  Yes  No
4. Wheels are operational.  Yes  No
5. Motor has been started and in good working condition.  Yes  No
6. All Decals appear in place and securely attached.  Yes  No
7. Equipment runs and tested to assure all components are operating correctly.  Yes  No
8. Do you have a Wear Parts Kit with an Extra Cutter set in stock?  Yes  No
9. Did you join Remove Faster News for tech updates, experience sharing and special offers?  Yes  No

Comments (add any additional or from above answers below)

\_\_\_\_\_  
\_\_\_\_\_  
\_\_\_\_\_

**NOTE:** All power equipment is warranted directly from the motor/engine manufacturers direct and not from SMITH Manufacturing. Prior to starting your equipment, please find the name of your engine/motor repair center for warranty and service:

- Honda: <http://engines.honda.com/dealer-locator/>
- Subaru: <http://robinamerica.com/dealerusacan.aspx>
- Leeson: <http://www.leeson.com/leeson/servicecenter.do?invoke=viewServiceCenterLocator>
- US Motors: <http://www.usmotors.com/Contact-Information.aspx>
- Kohler: <http://www.kohlerengines.com/contact/contact.htm>

**IMPORTANT:** Gas Engine owners: Never tip engine forward which will lock the recoil pull cord until the fuel and oil returns back into their respective fuel chambers and the carburetor is free before it can be started.



## **SMITH Manufacturing**

1610 South Dixie Highway  
Pompano Beach, FL 33060

Toll Free: 800.653.9311

Phone: 954.941.9744

Fax: 954.545.0348

Email: [info@SmithMfg.com](mailto:info@SmithMfg.com)

**[www.SmithMfg.com](http://www.SmithMfg.com)**